



Castanhas ajustadas individualmente através de fuso.
As castanhas podem ser centradas aproximadamente através das ranhuras concêntricas. A centragem precisa requer relógio comparador

LINHA EXTRA: Corpo em ferro fundido
LINHA EXTRA PLUS: Corpo em ferro fundido nodular
LINHA SUPER: Corpo em aço (sob pedido)

MONTAGEM FRONTAL - com flange ou direta
Montagem cilíndrica DIN 6350 - Fundo Reto
ASA B5.9 A1/A2 - Cone curto (ver página 31)
ASA B5.9 - Cone longo - Com rosca (ver página 31)
ASA B5.9 D1 - Com pino camlock (ver página 33)
DIN 55021 - Com pino e porca (ver página 32)
DIN 55022 - Com pino rosqueado e porca colar (ver página 32)



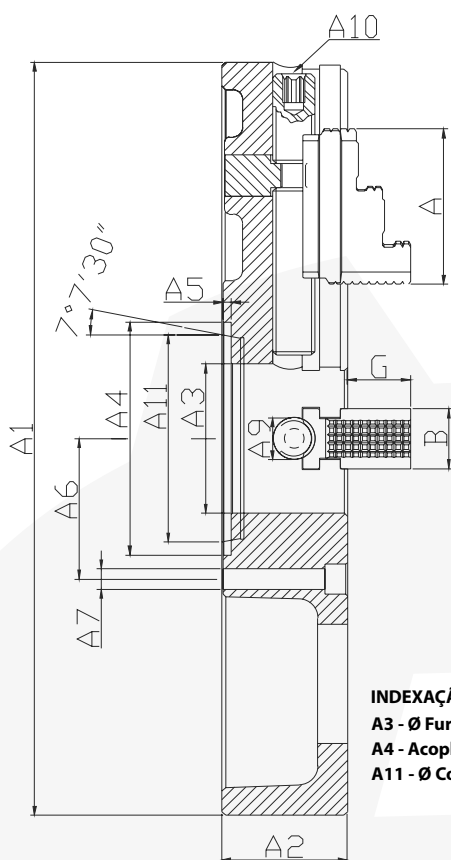
DIÂMETROS DISPONÍVEIS
Ø 160 a 1000 mm

ACESSÓRIOS STANDARD

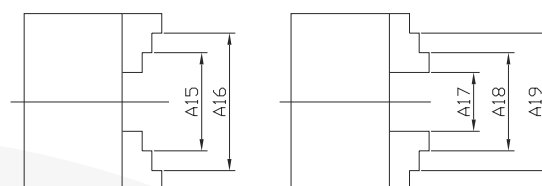
Placa com 4 castanhas
1 jogo de castanhas reversíveis (46)
1 chave de aperto / parafusos para montagem DIN6350 e ASA B5.9 A1/A2.

Todos os modelos com nervuras de reforço;
Entalhe de fixação a partir do Ø 250 mm;
Canais "T" (sob consulta).

Ø APROX. mm	FURO DE PASSAGEM mm	MONTAGEM					
		CILÍNDRICA DIN 6350 FUNDO RETO	CONE CURTO ASA B 5.9 A2/B2	CONE LONGO ASA B 5.9	COM PINO CAMLOCK ASA B 5.9 D1	COM PINO E PORCA DIN 55021	COM PINO ROSQUEADO E PORCA COLAR DIN 55022
		CÓDIGO				SOB CONSULTA	
160	40	160.46-FR-E	160.46-A3-E	----	----	160.46-D3-E	160.46-22C3-E
			160.46-A4-E			160.46-D4-E	160.46-22C4-E
			160.46-A5-E			160.46-D5-E	160.46-22C5-E
200	55	200.46-FR-E	200.46-A3-E	----	----	200.46-D3-E	200.46-22C3-E
			200.46-A4-E			200.46-D4-E	200.46-22C4-E
			200.46-A5-E			200.46-D5-E	200.46-22C5-E
250	65	250.46-FR-E	250.46-A3-E	250.46-L0-E	----	250.46-D3-E	250.46-22C3-E
			250.46-A4-E			250.46-D4-E	250.46-22C4-E
			250.46-A5-E			250.46-D5-E	250.46-22C5-E
310	70	310.46-FR-E	310.46-A5-E	310.46-L0-E	----	310.46-D5-E	310.46-22C5-E
			310.46-A6-E			310.46-D6-E	310.46-22C6-E
			400.46-A6-E			400.46-D6-E	400.46-22C6-E
400	90	400.46-FR-E	400.46-A8-E	400.46-L0-E	----	400.46-D8-E	400.46-22C8-E
			430A.46-A6-E			430A.46-D6-E	430A.46-22C6-E
			430A.46-A8-E			430A.46-D8-E	430A.46-22C8-E
500	90	500.46-FR-E	500.46-A6-E	----	----	500.46-D6-E	500.46-22C6-E
			500.46-A8-E			500.46-D8-E	500.46-22C8-E
			630.46-A8-E			630.46-D8-E	630.46-22C8-E
630	125	630.46-FR-E	630.46-A11-E	----	----	630.46-D11-E	630.46-22C11-E
			710.46-A8-E			710.46-D8-E	710.46-22C8-E
			710.46-A11-E			710.46-D11-E	710.46-22C11-E
710	125	710.46-FR-E	710.46-A15-E	----	----	710.46-D15-E	710.46-22C15-E
			810.46-A8-EP			810.46-D8-EP	810.46-22C8-EP
			810.46-A11-EP			810.46-D11-EP	810.46-22C11-EP
810	125	810.46-FR-EP	810.46-A15-EP	----	----	810.46-D15-EP	810.46-22C15-EP
			1000.46-A8-EP			1000.46-D8-EP	1000.46-22C8-EP
			1000.46-A11-EP			1000.46-D11-EP	1000.46-22C11-EP
1000	160	1000.46-FR-EP	1000.46-A15-EP	----	----	1000.46-D15-EP	1000.46-22C15-EP
			1000.46-A8-EP			1000.46-D8-EP	1000.46-22C8-EP
			1000.46-A11-EP			1000.46-D11-EP	1000.46-22C11-EP


INDEXAÇÃO

A3 - Ø Furo de passagem
A4 - Acoplamento FR
A11 - Ø Cone

FAIXA DE FIXAÇÃO

QUANTIDADE DE FURROS DE FIXAÇÃO DA PLACA

Ø mm PLACA	4 CASTANHAS
160 - 630	4 Furos à 90°
710 - 1000	8 Furos à 45°

Ø APROX. A1 mm	A2	A3	A4	A5	A6	A7 UNC	A9	A10 Ø	A	B	G	FAIXA DE FIXAÇÃO Ø MENOR - Ø MAIOR					RPM MÁX.			PESO (Kg) APROX.
												A 15	A 16	A 17	A 18	A 19	EXTRA	EXTRA PLUS	SUPER	
160	65	40	135	5	41,27	3/8"	22	10,15	46	25	23	30-98	60-128	15-68	24-92	62-130	2300	----	---	15
200	65	55	85	5	37,5	3/8"	22	10,15	65	33	29	50-120	90-160	18-70	26-96	80-150	1700	----	3000	18,5
250	65	65	110	5	41,27	3/8"	22	10,15	65	33	29	50-160	90-210	18-120	32-152	80-200	1400	----	2400	24,5
310	80	70	140	6	52,38	1/2"	26	13,15	98	38,8	41	73-187	146-260	23-114	38-152	123-237	1100	----	1970	33
400	80	90	140	6	85,72	1/2"	26	13,15	98	38,8	41	73-277	146-350	23-204	52-256	123-327	800	----	1400	55
430 A	95	90	140	7	85,72	5/8"	35	16,15	115	50	50	86-286	168-368	35-200	52-252	144-344	730	----	1260	68
500	100	125	180	7	80	5/8"	35	16,15	130	50	53	96-466	188-558	35-240	100-340	164-404	700	----	1100	80
630	105	125	195	7	117,47	5/8"	35	16,15	130	50	53	96-476	188-568	35-370	100-470	164-534	545	----	970	162
710	110	125	195	7	117,47	5/8"	42	21,65	155	58	55	120-520	230-630	35-400	100-500	190-590	480	----	860	197
810	125	125	195	7	117,47	5/8"	42	21,65	155	58	55	120-620	230-730	35-500	100-600	190-690	---	430	765	242
1000	150	160	290	12	165,10	7/8"	42	21,65	200	58	67	140-740	300-900	35-600	100-700	260-860	---	340	610	620

MONTAGEM: FR (COM FLANGE) OU ASA (MONTAGEM DIRETA)

Ø APROX. mm	FR		ASA3		ASA4		ASA5		ASA6		ASA8		ASA11		ASA15		ASA20	
	A4 / DIN 6350	A3	A11	A3	A11	A3	A11	A3	A11	A3	A11	A3	A11	A3	A11	A3	A11	A3
160	135	40	53,975	50	63,5127	60	82,5576	79	---	---	---	---	---	---	---	---	---	---
200	110	55	53,975	50	63,5127	60	82,5576	79	---	---	---	---	---	---	---	---	---	---
250	110	65	53,975	50	63,5127	60	82,5576	79	---	---	---	---	---	---	---	---	---	---
310	140	70	---	---	---	---	82,5576	79	106,3701	102	---	---	---	---	---	---	---	---
400	140	90	---	---	---	---	---	---	106,3701	102	139,7139	135	---	---	---	---	---	---
430 A	140	90	---	---	---	---	---	---	106,3701	102	139,7139	135	---	---	---	---	---	---
500	140	90	---	---	---	---	---	---	106,3701	102	139,7139	135	---	---	---	---	---	---
630	195	125	---	---	---	---	---	---	---	---	139,7139	135	196,8639	192	---	---	---	---
710	195	125	---	---	---	---	---	---	---	---	139,7139	135	196,8639	192	285,7627	280	---	---
810	195	125	---	---	---	---	---	---	---	---	139,7139	135	196,8639	192	285,7627	280	---	---
1000	290	160	---	---	---	---	---	---	---	---	139,7139	135	196,8639	192	285,7627	280	412,7627	407