



COROA



PINHÃO

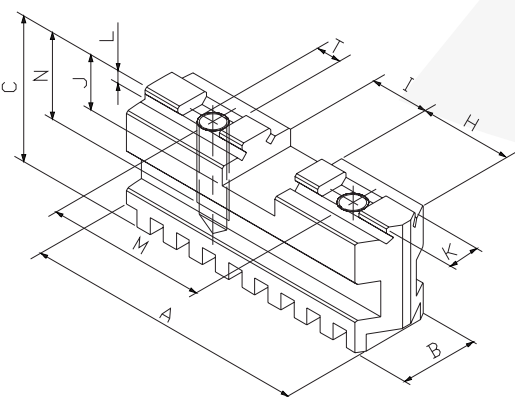
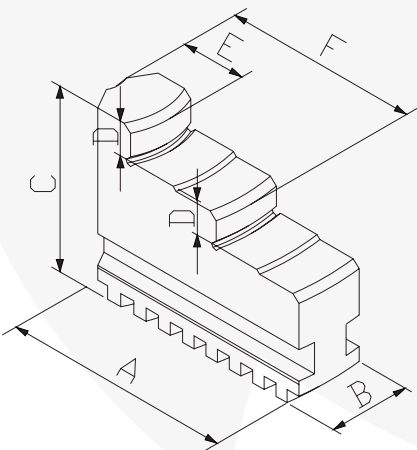
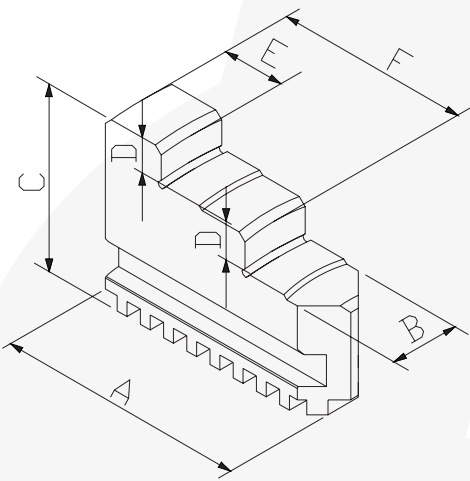


PRISIONEIRO DO PINHÃO



CHAVE DE APERTO

PLACA Ø APROX. mm	CÓDIGO				Ø mm
	135.03-U	135.04-U	135.05-U	135.06-U	
135	135.03-U	135.04-U	135.05-U	135.06-U	8,6
160	160.03-U	160.04-U	160.05-U	160.06-U	8,6
190	190.03-U	190.04-U	190.05-U	190.06-U	10,2
205	205.03-U	205.04-U	205.05-U	205.06-U	10,2
255	255.03-U	255.04-U	255.05-U	255.06-U	14,4
315	315.03-U	315.04-U	315.05-U	315.06-U	14,4
400	400.03-U	400.04-U	400.05-U	400.06-U	14,4
500	500.03-U	500.04-U	500.05-U	500.06-U	19
650	650.03-U	650.04-U	650.05-U	650.06-U	19
750	750.03-U	750.04-U	750.05-U	750.06-U	19



CASTANHA EXTERNA (31/41)

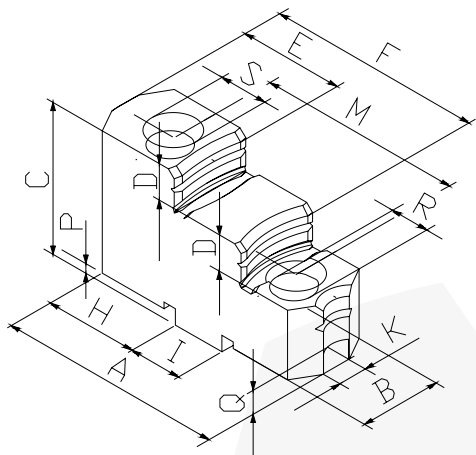
PLACA Ø APROX. mm	CÓDIGO		A	B	C	D	E	F
	3 CAST	4 CAST						
135	135.31-U	----	53	15	39	7,5	13	33
160	160.31-U	160.41-U	63	18	41	9,5	16	39
205	205.31-U	205.41-U	76	21	56	10,5	19	47,5
255	255.31-U	255.41-U	95	29,5	66	13	22	58,5
315	315.31-U	315.41-U	120	37	76	16	26	73
400	400.31-U	400.41-U	120	37	76	16	26	73
500	500.31-U	500.41-U	165	50	90	20	50	107,5
650	650.31-U	650.41-U	230	50	115	25	50	140
750	750.31-U	750.41-U	230	50	115	25	50	140

CASTANHA INTERNA (32/42)

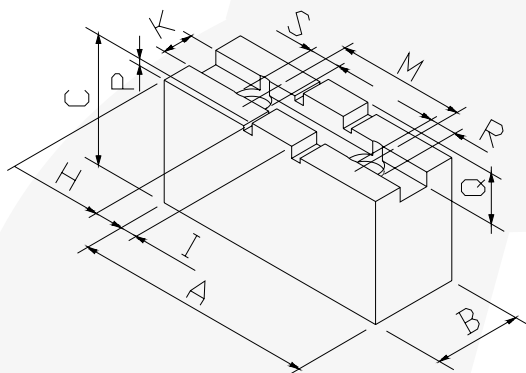
PLACA Ø APROX. mm	CÓDIGO		A	B	C	D	E	F
	3 CAST	4 CAST						
135	135.32-U	----	53	15	39	7,5	13	33
160	160.32-U	160.42-U	63	18	41	9,5	16	39
205	205.32-U	205.42-U	76	21	56	10,5	19	47,5
255	255.32-U	255.42-U	95	29,5	66	13	22	58,5
315	315.32-U	315.42-U	120	37	76	16	26	73
400	400.32-U	400.42-U	120	37	76	16	26	73
500	500.32-U	500.42-U	165	50	90	20	50	107,5
650	650.32-U	650.42-U	230	50	115	25	50	140
750	750.32-U	750.42-U	230	50	115	25	50	140

CASTANHA BASE (23/33/43)

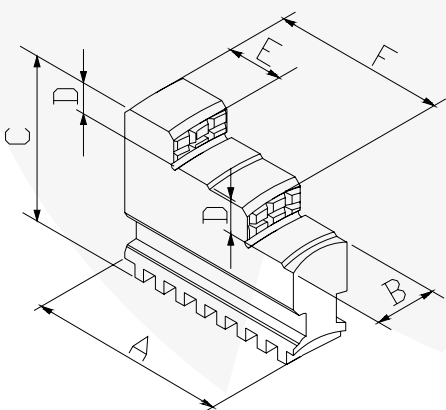
PLACA Ø APROX. mm	CÓDIGO			A	B	C	H	I	J	K	L	M	N	T UNC
	2 CAST	3 CAST	4 CAST											
135	---	135.33-U	----	53	15	25	22,5	12,68	7	7,98	3	32	16	1/4
160	160.23-U	160.33-U	160.43-U	65	18	28	28	12,68	7	7,98	3	38,1	20	5/16
205	205.23-U	205.33-U	205.43-U	76	21	32	32	16,2	8	8,74	3	42,86	25	3/8
255	255.23-U	255.33-U	255.43-U	98	29,5	40	40	19,03	8	12,68	3	53,97	30	1/2
315	315.23-U	315.33-U	315.43-U	120	37	46	54	19,03	10	12,68	3	76,2	30	5/8
400	---	400.33-U	400.43-U	120	37	46	54	19,03	10	12,68	3	76,2	30	5/8
500	---	500.33-U	500.43-U	165	50	55	52	19,03	11	12,68	3	76,2	41	3/4
650	---	650.33-U	650.43-U	235	50	69	52	19,03	11	12,68	3	76,2	54	3/4
750	---	750.33-U	750.43-U	235	50	69	52	19,03	11	12,68	3	76,2	54	3/4


**CASTANHA TOPO DURO (36/46)**

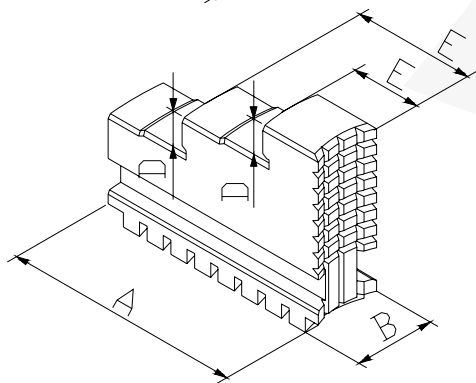
PLACA Ø APROX. mm	CÓDIGO		A	B	C	D	E	F	H	I	K	M	P	Q	R	S
	3 CAST	4 CAST														
135	135.36-U	----	59	21	37	7	13	38	22,5	12,68	8	32	3	8	6,7	10
160	160.36-U	160.46-U	65	24	40	9	15	42	28	12,68	8	38,1	3	8	8,5	12
205	205.36-U	205.46-U	78	27	46	11	19	53	32	16,2	8,76	42,86	3	9	10,5	15
255	255.36-U	255.46-U	97	37	54	13	22	64	40	19,03	12,72	53,97	3	9	13,5	20
315	315.36-U	315.46-U	124	43	63	14	27	75	54	19,03	12,72	76,2	3	7	17	25
400	400.36-U	400.46-U	124	43	63	14	27	75	54	19,03	12,72	76,2	3	7	17	25
500	500.36-U	500.46-U	137	56	73	17,5	50	87	57	19,03	12,72	76,2	6	12	20	31
650	650.36-U	650.46-U	155	62	94	25	55	90	57	19,03	12,72	76,2	6	12	20	31
750	750.36-U	750.46-U	155	62	94	25	55	90	57	19,03	12,72	76,2	6	12	20	31


**CASTANHA TOPO MOLE (27/37/47)**

PLACA Ø APROX. mm	CÓDIGO			A	B	C	H	I	K	M	P	Q	R	S
	2 CAST	3 CAST	4 CAST											
135	---	135.37-U	----	59	21	37	22,5	12,68	8	32	3	8	6,7	10
160	160.27-U	160.37-U	160.47-U	70	24	40	28	12,68	8	38,1	3	8	8,5	12
205	205.27-U	205.37-U	205.47-U	82	27	46	32	16,2	8,76	42,86	3	9	10,5	15
255	255.27-U	255.37-U	255.47-U	101	37	54	40	19,03	12,72	53,97	3	9	13,5	20
315	315.27-U	315.37-U	315.47-U	129	43	63	54	19,03	12,72	76,2	3	7	17	25
400	---	400.37-U	400.47-U	129	43	63	54	19,03	12,72	76,2	3	7	17	25
500	---	500.37-U	500.47-U	137	56	73	57	19,03	12,72	76,2	6	12	20	31
650	---	650.37-U	650.47-U	155	62	94	57	19,03	12,72	76,2	6	12	20	31
750	---	750.37-U	750.47-U	155	62	94	57	19,03	12,72	76,2	6	12	20	31


**CASTANHA ESPECIAL PARA PLACA DE RETIFICA DE VIRABREQUIM - Ø EXTERNA (38)**

PLACA Ø APROX. mm	CÓDIGO		A	B	C	D	E	F
	Ø EXTERNA							
160	160.38-U		63	18	41	9,5	16	39
190/205	205.38-U		76	21	56	10,5	19	47,5
255	255.38-U		95	29,5	66	13	22	58,5


**CASTANHA ESPECIAL PARA PLACA DE RETIFICA DE VIRABREQUIM - Ø INTERNA (39)**

PLACA Ø APROX. mm	CÓDIGO		A	B	C	D	E	F
	Ø INTERNA							
160	160.39-U		63	18	41	9,5	16	39
190/205	205.39-U		76	21	56	10,5	19	47,5
255	255.39-U		95	29,5	66	13	22	58,5